

Assembly Guide

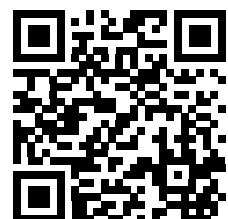
Sub-Irrigation Channel

17000
17000-1

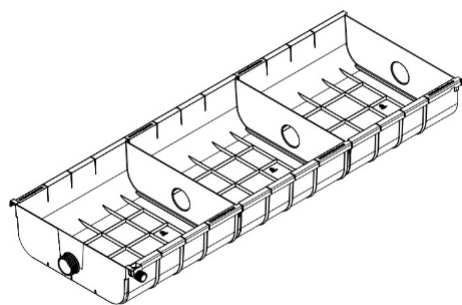
WaterUps® Getting Started page

Our Getting Started page contains lots of helpful information. You can go to it using the link or the QR code below.

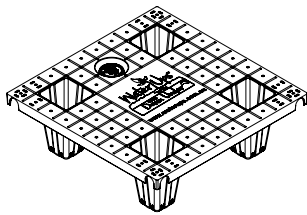
[Getting Started page](#) 



Contents - Basic Kit



1 x WaterUps® Channel



3 x WaterUps® Wicking Cell



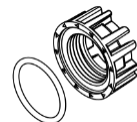
1 x Inlet Pipe and Cap



1 x Channel End Cap



1 x Spigot

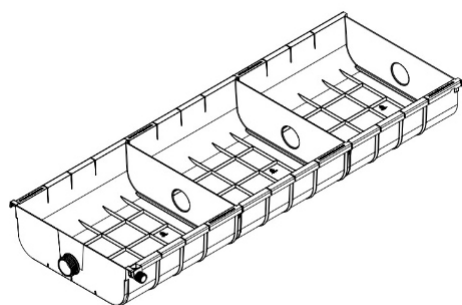


1 x Channel Nut

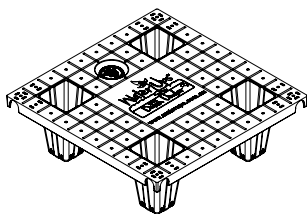


1 x Overflow Connector Extension Fitting

Contents - Extension Kit



1 x WaterUps® Channel




3 x WaterUps® Wicking Cell




1 x Channel Nut


You will need


 Approximately 2 square metres of level ground to build each SIC on

 A spirit or laser level

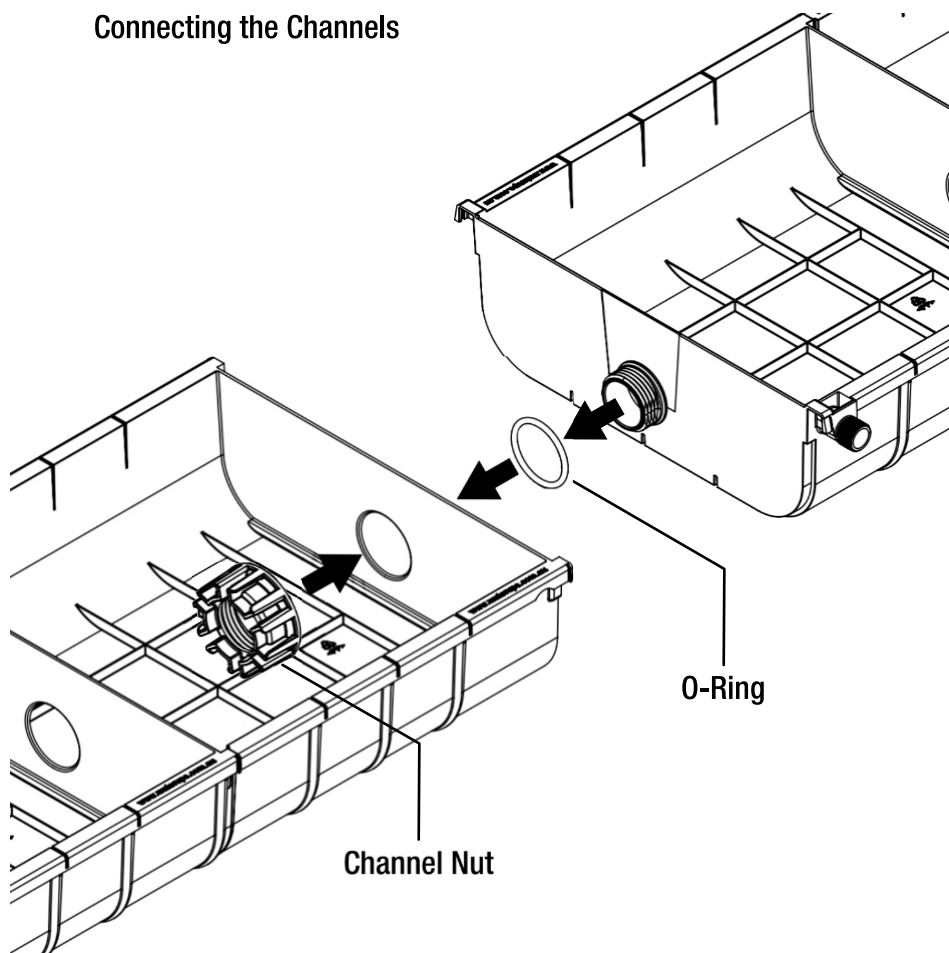
 A sharp knife

 Drill

 16mm speedbor drill bit

 6 litres of perlite for each SIC

Connecting the Channels



IMPORTANT NOTE:

You will need to purchase the Basic Kit plus the number of Extension Kits that you will need, based on the length of the channel required for your job.

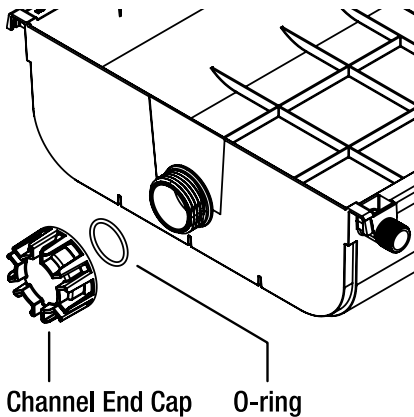
1. Assembly preparation.

Make sure that the position you are installing the Sub-Irrigation Channel ("SIC") in is completely level using a spirit or laser level.

Make sure that the base on which you are going to install the SIC on is compacted.

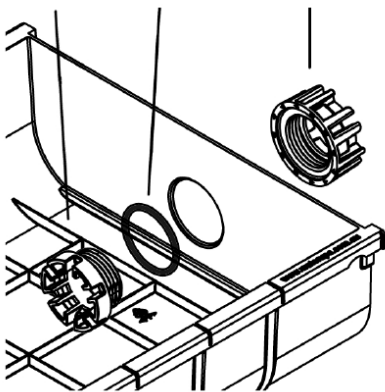
2. Assembling the Basic Kit.

Start with the Basic Kit. Take the End Cap and check that the small o-ring is in position on the inside of the cap. Then screw the End Cap to the threaded 'male' end of the Channel and tighten.



If the SIC that you are installing is only 1.2m long, then locate the Spigot and Nut. The Spigot should be placed on the inside of the channel connection hole and pushed through so that the threaded section of the Spigot is on the outside. Then add the large O-ring and screw on the Nut and tighten.

Spigot O-ring Channel Nut



3. Connecting the Channels.

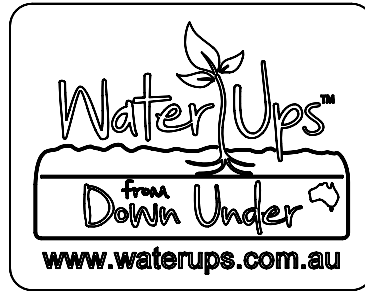
The Channels can be connected by placing the threaded piece at the end of one Channel into the matching hole at the opposing end.

Screw together with the Nut and O-ring that come with the Extension Kit.

Refer to the large image at the bottom of page 2.

4. Cutting the SIC.

The Channel can be cut using a hand saw or circular saw between the lines marked on the underside of the Channel.

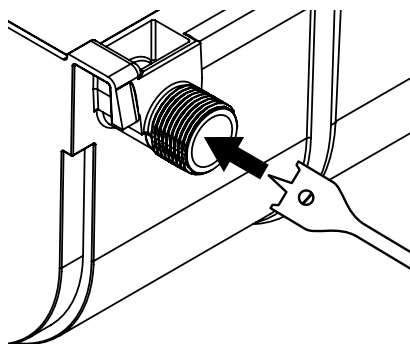


5. Overflow Hole.

It is important that close attention is given to the placement of the overflow on your sub-irrigation wicking system. The channel overflow is defined by the threaded piece adjacent to the top corner of the channel.

IMPORTANT NOTE:

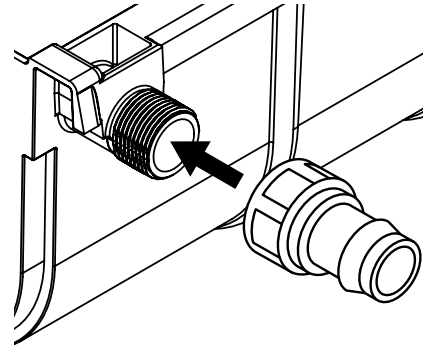
You will need to drill out the hole on the inside of the threaded overflow connection piece using a 16mm speedbor drill bit.



Drill out the hole on the inside of the overflow connection

How you connect the overflow will depend on the nature of your installation.

If you are installing the SIC in a planter or adjacent to a retaining wall, then screw on overflow pipe extension connector piece. Then attach a sufficient length of standard 19mm poly irrigation pipe so that the end of the pipe extends through the wall and is visible.



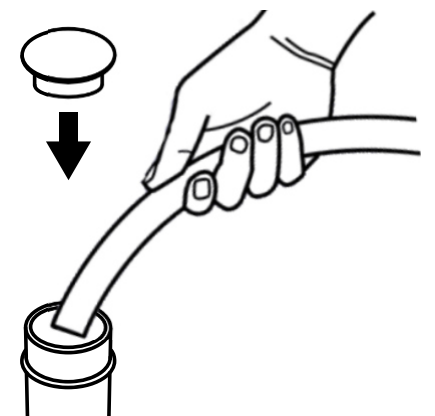
Fitting the Overflow Connector Extension Fitting

If you are installing in-ground or in a planter with a bottom drainage hole then you will need to run the overflow into an ag line or sump covered with aggregate. With this alternative you will not have visibility of when the channel system is full and overflowing.

6. Filling the SIC.

There are 2 methods for filling the SIC:

- The normal method would be to use the WaterUps® Inlet Pipe that comes with the Basic Kit (see below); and

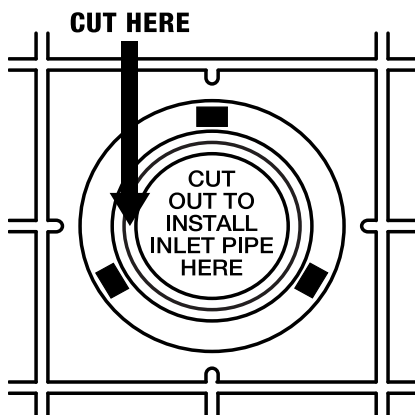


- If you have a channel system that will have more than one potential overflow holes. One of these could be used as the inlet for filling the SIC. This would require attaching poly irrigation pipe as was done for the overflow extension and connecting this to the water supply/tap.

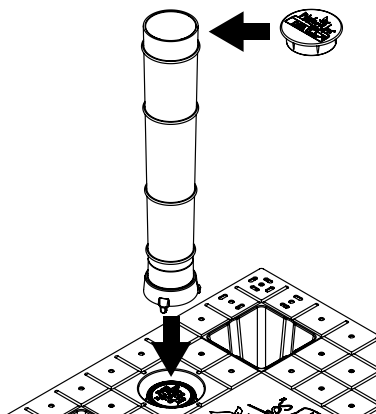
7. Inserting the water inlet pipe.

To fit the WaterUps® Inlet Pipe you must first cut a hole in the top of one of the WaterUps® Cells.

Using a sharp knife cut along the circular groove around the type on the top of the WaterUps® Cell as shown in the image at the top of page 4.

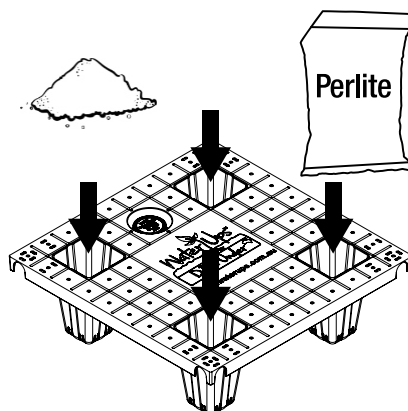


The three tabs on the bottom of the water inlet pipe must lock into the three holes in the top of the WaterUps® Cell. Apply some pressure to the inlet pipe as you insert it, until it clicks into place in the WaterUps® Cell.



8. Adding perlite to the feet of the WaterUps® Cell.

Adding Perlite to the 'wicks' will improve airflow through to the soil. Both fine and medium grain perlite work effectively for this purpose.



The wicks, which are the 4 feet at the base of each cell, should be filled with perlite. This will require approximately 2 litres of perlite per WaterUps® cell.

To work out how much Perlite you will need, we suggest that you use the calculator tool on our website which you can go to using the link or the QR code at the bottom of page 1.

9. Potting mix and soil.

For information on potting mix and soil please refer to the *WaterUps® Installation Guide* and the *Soil Considerations Guide* which you will find on our Getting Started page. You can go to them using the link or QR code at the bottom of page 1.

10. Watering your WaterUps® Sub-Irrigation Channel.

The reservoir of each SIC will hold 51.6 litres of water. How often you need to refill the reservoir will depend on what plants you are growing, the time of year, and the amount of natural rainfall that you receive. However, in our experience, periods of up to four weeks are achievable before you will need to refill your water reservoir.

It is recommended that you allow the water level in the SIC to go down to at least 1/4 full before refilling. This will assist soil aeration.

To check how much water is in the reservoir simply use a dipstick or set up a moisture sensor system.

Contact Us

Sales

Email: sales@waterups.com.au

Phone: 1300 205 550

General Enquiries

Email: info@waterups.com.au

Account Enquiries

Email: accounts@waterups.com.au

The WaterUps® website is owned and operated by WaterWix Pty Ltd – ABN 58 166 973 011.

The information contained in this document is provided as is and without any warranties of any kind, whether expressed or implied. Users are advised to make their own determination as to the suitability of this information

in relation to their particular purpose or specific circumstances. No responsibility can be accepted by WaterUps®, WaterWix Pty Ltd, or its staff for any loss resulting from any action taken or reliance made by you on any information contained in this document.

Copyright © 2022 WaterWix Pty Ltd. All rights reserved. WaterUps, the WaterUps Logo and Wicking our World are registered trademarks of WaterWix Pty Ltd.

Published: 16 June 2022