

Assembly Guide

WaterUps® Square Planter

15090
16050
17050

Before you start

Watch the full assembly guide video on our YouTube page. You can go to it using the button or the QR code below.

[Assembly Guide video](#) 



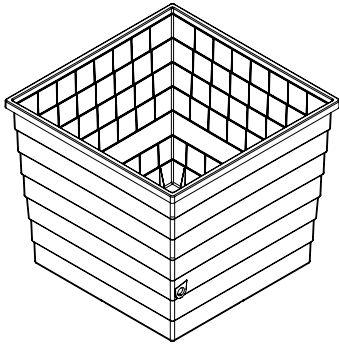
WaterUps® Getting Started page

Our Getting Started page contains lots of helpful information. You can go to it using the link or the QR code below.

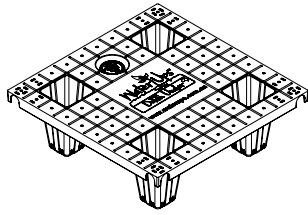
[Getting Started page](#) 



Contents



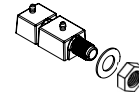
1 x WaterUps® Square Planter



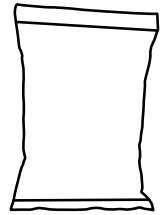
1 x WaterUps® Wicking Cell



1 x Inlet Pipe & Cap



1 x Overflow Pipe



1 x 2L bag of Perlite

You will need



Approximately 1 square metre of space to build on.



A sharp knife.



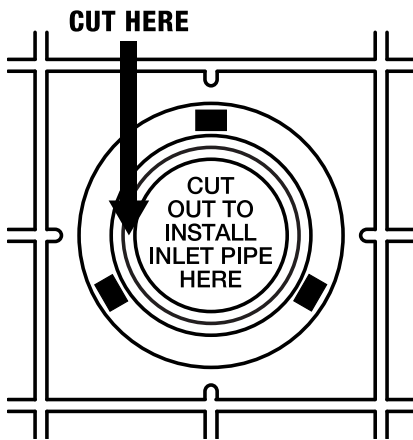
Approximately 17 litres of water.



2 x 25 litre bags of good quality soil or potting mix.

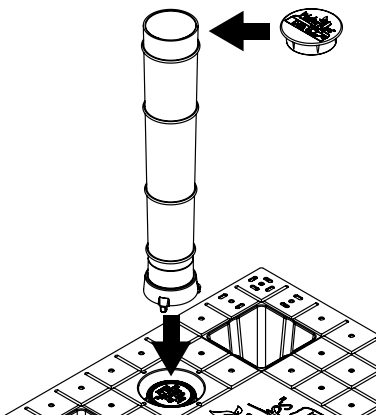
1. Cut the hole in the WaterUps® Cell for the water inlet pipe.

Using a sharp knife cut along the circular groove around the type on the top of the WaterUps® Cell as shown in the image below.



2. Insert the water inlet pipe.

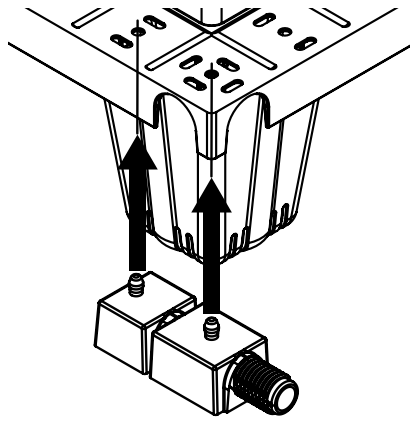
The three tabs on the bottom of the water inlet pipe must lock into the three holes in the top of the WaterUps® Cell. Apply some pressure to the inlet pipe as you insert it, until it clicks into place in the WaterUps® Cell.



3. Inserting the overflow pipe.

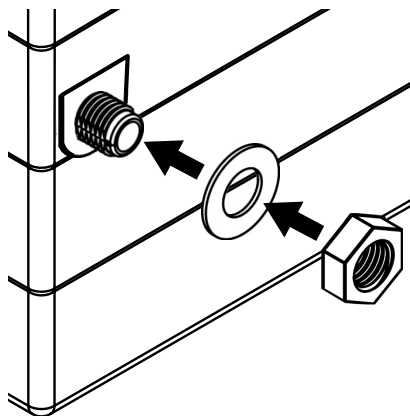
Decide where you want the overflow pipe to be in relation to the water inlet pipe and click the overflow pipe into place on the underside of the WaterUps® Cell.

Note: Take some care in making this decision because it can be difficult to remove the overflow pipe once it is clicked into the WaterUps® Cell.



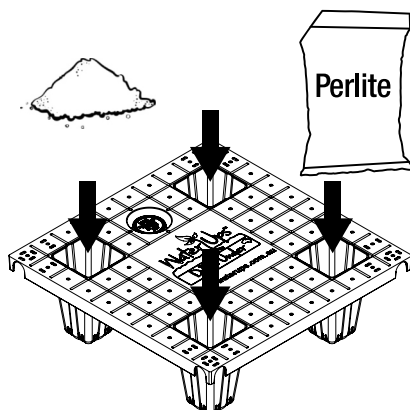
4. Insert the WaterUps® Cell into the square planter.

Carefully feed the WaterUps® Cell with the overflow pipe attached into the planter so that the overflow pipe goes through the hole on the side of the planter. Once the WaterUps® Cell is fitted in the planter place the rubber washer onto the overflow pipe, then screw on and tighten the nut.



5. Adding perlite to the feet of the WaterUps® Cell.

Open the 2 litre bag of perlite and sprinkle some water over the perlite granules to help stop them from blowing away. Distribute the perlite evenly into all four feet of the WaterUps® Cell.



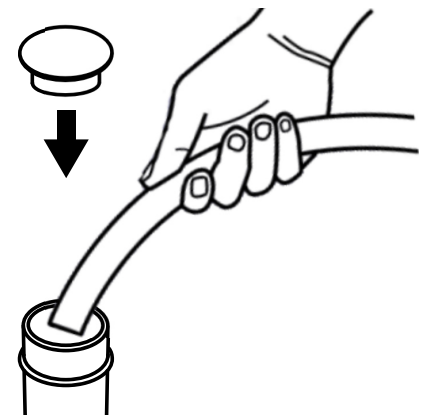
6. Add potting mix or soil to the planter.

You will now need 2 x 25 litre bags of good quality potting mix or potting soil to fill the planter.

For more information please refer to our *Soil Considerations Guide* which you will find on our Getting Started page. You can go to it using the link or QR code at the bottom of page 1.

7. Watering your planter.

To water your planter simply insert a garden hose into the inlet pipe and fill the water reservoir until water starts flowing out of the overflow pipe. Replace the cap when done.



The water reservoir of your WaterUps® Square Planter will hold 17.6 litres of water. How often you need to refill the reservoir will depend on what plants you are growing, the time of year, and the amount of natural rainfall that you receive. However, in our experience, periods of up to four weeks are achievable before you will need to refill your planter.

It is recommended that you allow the water level in the planter to go down to at least 1/4 full before refilling. This will assist soil aeration.

To check how much water is in the reservoir simply use a dipstick or set up a moisture sensor system.

Contact Us

Sales

Email: sales@waterups.com.au

Phone: 1300 205 550

General Enquiries

Email: info@waterups.com.au

Account Enquiries

Email: accounts@waterups.com.au

The WaterUps® website is owned and operated by WaterWix Pty Ltd – ABN 58 166 973 011.

The information contained in this document is provided as is and without any warranties of any kind, whether expressed or implied. Users are advised to make their own determination as to the suitability of this information

in relation to their particular purpose or specific circumstances. No responsibility can be accepted by WaterUps®, WaterWix Pty Ltd, or its staff for any loss resulting from any action taken or reliance made by you on any information contained in this document.

Copyright © 2022 WaterWix Pty Ltd. All rights reserved. WaterUps, the WaterUps Logo and Wicking our World are registered trademarks of WaterWix Pty Ltd.

Published: 1 Nov 2022