

Assembly and Installation Guide

Wicking Starter Kit

SKU: 1497

Description

The WaterUps® Wicking Starter Kit is a compact all-in-one wicking system. Each reservoir holds 15 lt of water.

The Wicking Starter Kit can be used to irrigate in-ground planted trees and shrubs, and will convert any planter or pot larger than 40 x 40cm or 60cm in diameter into self-watering wicking pots.

Contents

The WaterUps® Wicking Starter Kit contains the following:

- 1 x WaterUps® Reservoir base
- 1 x WaterUps® Wicking Cell
- 1 x WaterUps® Inlet Pipe

Note : 2lt of perlite sold separately

Specifications

Material:	Recycled Polypropylene
Country of manufacture:	Australia
External dimensions:	400mm L x 400mm W x 130mm H with a 300mm Inlet Pipe
Colour:	Black
Weight:	2.2 kilograms
Water reservoir capacity:	15 litres

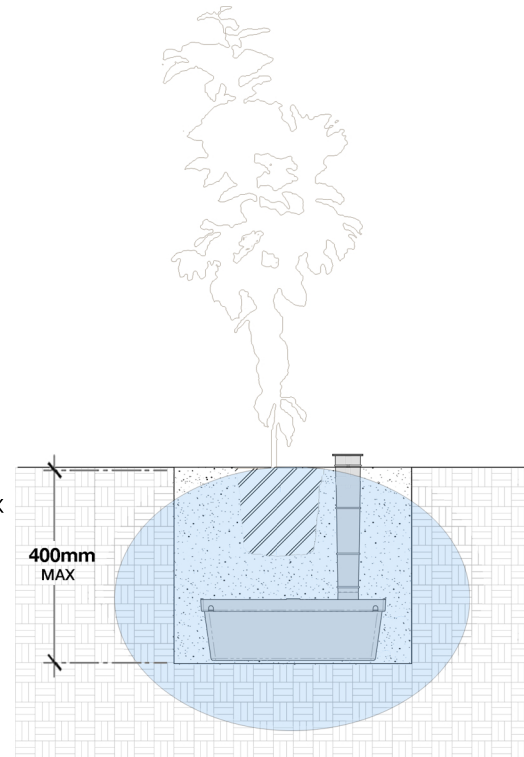
Assembly Preparation

In-Ground

Excavate a hole 500 x 500mm in area to be planted to a maximum depth of 400mm. Ensure base of hole is level.

In-Planter

There is no preparation needed for use in pots or planters. If planter is deeper than 450mm, fill pot or planter with potting mix until the Wicking Starter Kit Inlet pipe sits level with rim of planter.

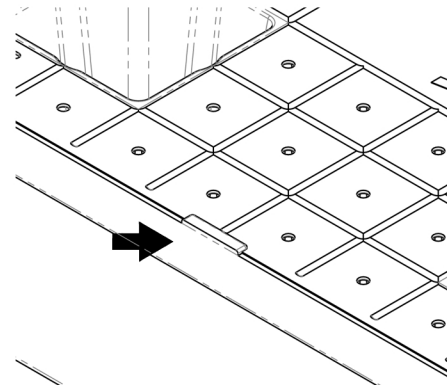
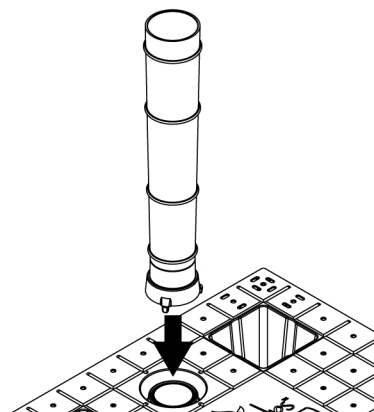
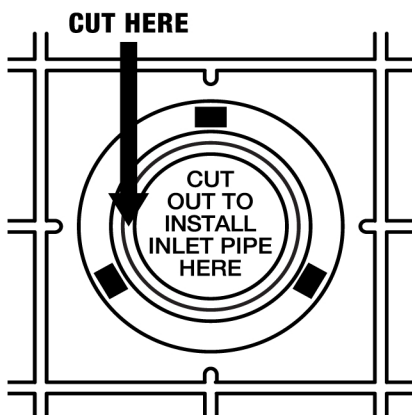


Assembling the Wicking Starter Kit

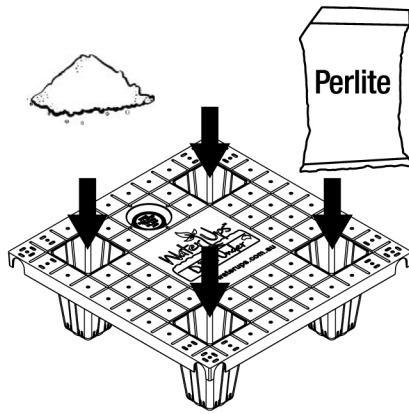
To fit WaterUps Inlet Pipe you must cut a hole out of the top of the WaterUps cell. Using a sharp knife cut along the circular groove around the type on the top of the WaterUps cell as shown.

The three tabs at the base of the Inlet Pipe lock into the three holes in the top of the WaterUps cell. Apply some pressure to the Inlet Pipe as it is inserted until it clicks into the cell.

Take the WaterUps cell and Inlet assembly and place into the Reservoir base. Engage the tabs on each side to ensure Cell and Base stay together.



Fill each foot of the cell with perlite and lower the entire unit into the base of hole or planter.



Filling the Reservoir

Water in plants as normal and fill the reservoir with 15lt of water. The reservoir will initially empty over only a few days as the soil reaches field capacity (the maximum amount of water that soil can hold). Refill the reservoir again after three(3) days. Monitor and refill as needed.

Watering intervals will be determined by the plant size, soil type and climatic conditions.

Contact Us

Sales

Email: sales@waterups.com.au

Phone: 1300 205 550

General Enquiries

Email: info@waterups.com.au

Account Enquiries

Email: accounts@waterups.com.au

The WaterUps® website is owned and operated by WaterWix Pty Ltd – ABN 58 166 973 011.

The information contained in this document is provided as is and without any warranties of any kind, whether expressed or implied. Users are advised to make their own determination as to the suitability of this information

in relation to their particular purpose or specific circumstances. No responsibility can be accepted by WaterUps®, WaterWix Pty Ltd, or its staff for any loss resulting from any action taken or reliance made by you on any information contained in this document.

Copyright © 2022 WaterWix Pty Ltd. All rights reserved. WaterUps, the WaterUps Logo and Wicking our World are registered trademarks of WaterWix Pty Ltd.

Published: 1 April 2023